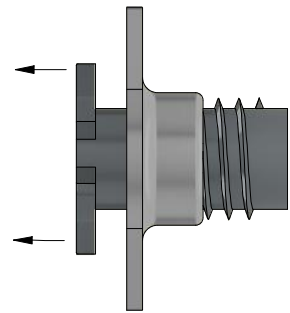
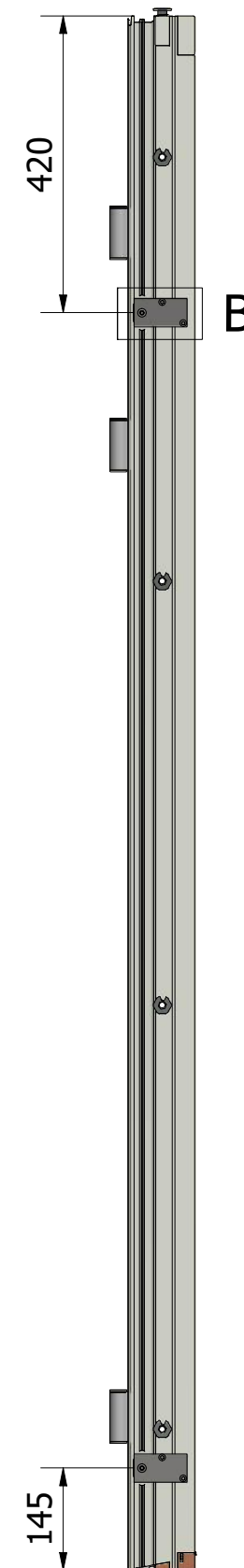
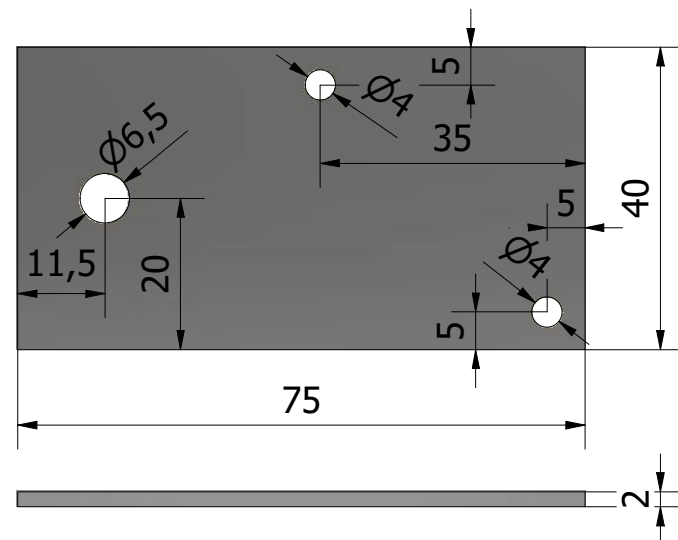


Hinge side only ( 1 : 10 )



Frame socket is adjusted until just touching the bracket.  
It should not push the bracket outwards.

The M6 screw is then inserted but tightened only  
after wood screws are secured.



Revisionsnr.	Revisionsbeskrivning		
Generell tolerans	SS-ISO 2768-1, m	Produktnamn	MP-BLECK-ADJ_213
Ritn.storlek	A3	Skapad av	ThomasN
Skala	1 : 1	Skapad datum	2021-05-21
Sida	1	Beskrivning	LEIAB fastening bracket
LEIAB	Vyplacering	Filnamn	MP-BLECK-ADJ_213.dwg
		Ritningsnr.	MP-BLECK-ADJ_213